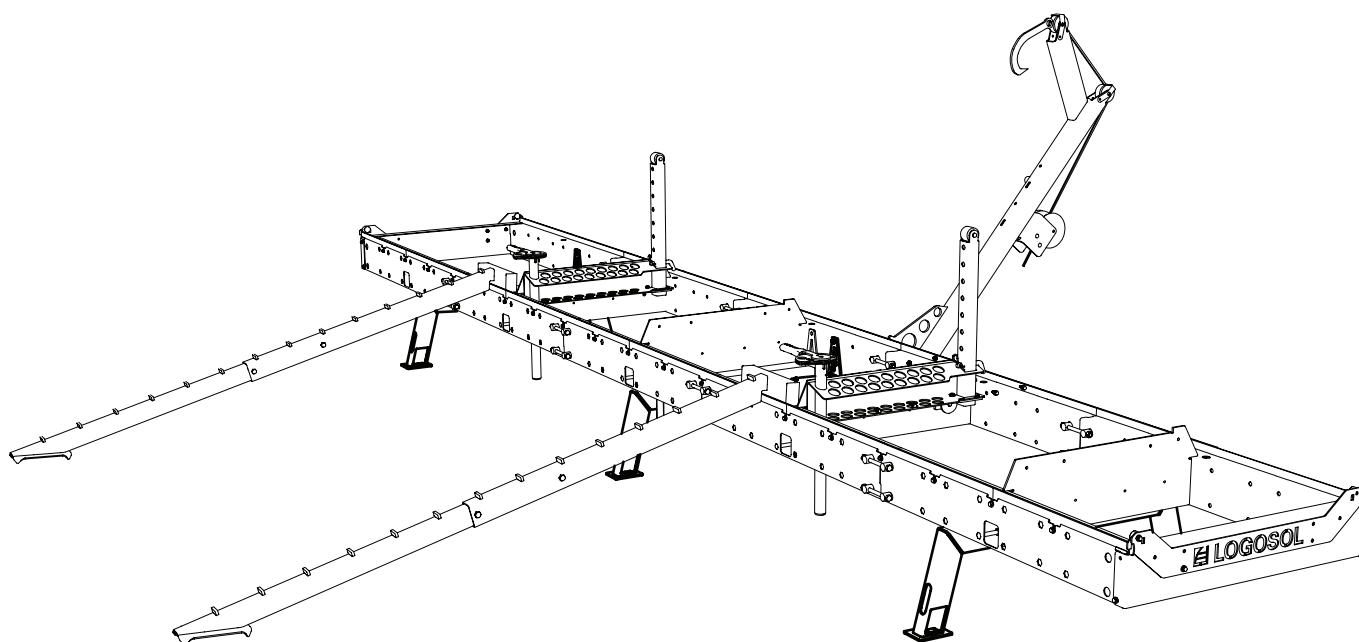


USER MANUAL

Ref. No. 0458-395-2221



SUPPORT LEGS

B1001/B751PRO

THANK YOU FOR CHOOSING A LOGOSOL MACHINE!

We are very pleased that you have demonstrated your confidence in us by purchasing this product, and we will do our utmost to meet your expectations.

Logosol has been manufacturing sawmills since 1989. In that time we have supplied approximately 50,000 machines to satisfied customers the world over.

We care about your safety as well as we want you to achieve the best possible results with your equipment. We therefore recommend that you take the time to carefully read this user manual from cover to cover in peace and quiet before you begin using the product.

We hope you get a lot of satisfaction from the use of your new equipment.

Bengt-Olov Byström

Bengt-Olov Byström
Founder and chairman,
Logosol in Härnösand, Sweden



Read through the user manual carefully and make sure you understand its contents before you use the equipment.



This user manual contains important safety instructions.



WARNING! Incorrect use can result in serious or fatal injuries to the operator or others.



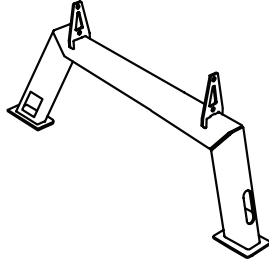
LOGOSOL continuously develops its products. For this reason, we must reserve the right to modify the configuration and design of our products.
Document: User manual for Log Handling
Ref. No. User Manual, English: 0458-395-xxxx
Text: Martin Söderberg
Illustrations: Martin Söderberg
Last revised: November 2020
© 2020 LOGOSOL, Härnösand Sweden

SAFETY INSTRUCTIONS

- Read carefully through the entire user manual before starting to use the equipment. Failure to observe these safety instructions may result in fatal injuries.
- Make sure that everyone who uses the sawmill is well informed of the dangers and has read the user manual. The user manual shall always be available to the persons working with the sawmill. This also applies where the sawmill is sold or loaned out.
- Minors under 18 years of age are not allowed to operate the sawmill.
- Make sure that children and animals are not in the vicinity when the sawmill is being operated.
- Respect the safety distances to avoid injuries from high noise levels and from a broken blade that is thrown off.
- Anyone working with the sawmill must be fit for work, healthy and in good physical condition. Make sure you take regular breaks when operating the machine. Never operate the machine while under the influence of alcohol, narcotics or other drugs or medicines that can cause drowsiness or inattention.
- Only work with the equipment where visibility is good. Never work with the equipment in the dark or where visibility is poor.
- Make sure there are other persons within earshot who you can summon if you need help.
- Only add extra equipment to the sawmill that is made by Logosol or that is specifically approved by Logosol for the purpose. Other equipment can cause accidents and should not be used. Logosol will not accept liability for personal injury or material damage that occurs while using non-approved attachments on the sawmill.
- Always wear protective clothing and use personal protective equipment: Close-fitting work overalls are appropriate. Never operate the sawmill wearing loose-fitting clothes, overall coats or similar. Use safety shoes with high-grip soles and steel toecaps. Neckerchiefs, ties, jewellery or other items that can get caught in the equipment are not to be worn.

COMPONENTS

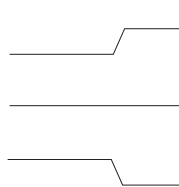
Check that all components are included in the shipment.



— 3x ——— B1001 02-00394
B751 PRO 02-00424



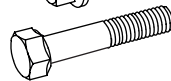
01-00509



12x M12 NV18



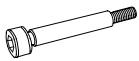
12x M12



12x M12 x 90 Nv 18

BOLTS & NUTS

Definition of fasteners.



Shoulder bolt



Phillips bolt



Slotted bolt



Set screw



Hex nut



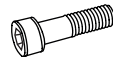
Flange nut



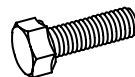
Flat washer



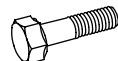
Allen bolt



Partial thread Allen bolt



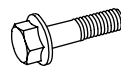
Hex bolt



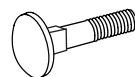
Partial thread hex bolt



Flange bolt



Partial thread flange bolt



Carriage bolt

ADDITIONAL SYMBOLS

The following symbols are used as supplements to the symbols above to describe the design or function of the fasteners.



Low



Tensilock



Lock



Countersunk

DIMENSIONS/LENGTH

The size of a fastener is written as a diameter measurement (**M**) ISO 68-1. For bolts, this is followed by a length measurement. The length of the bolt is measured from below the head to the tip of the bolt.

(Diameter)

(Length)

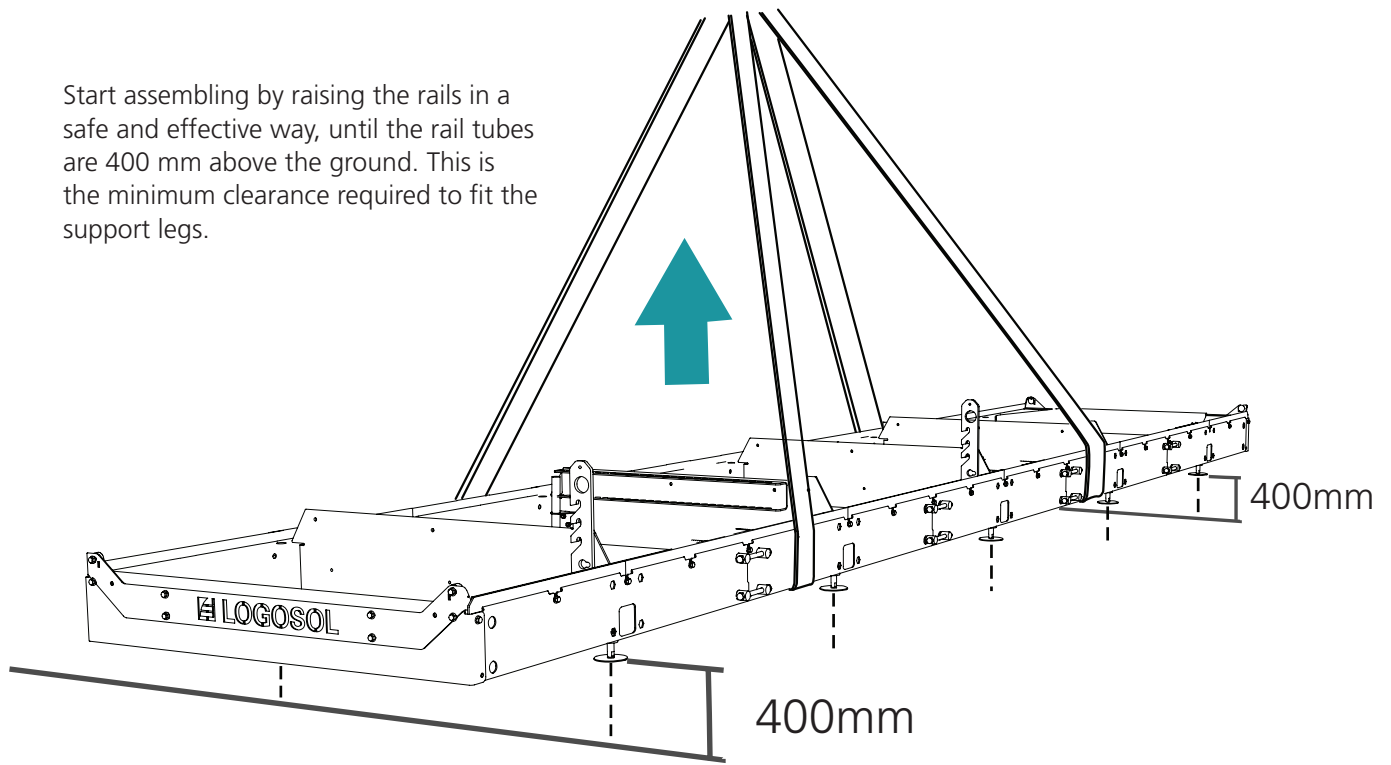
M8

x

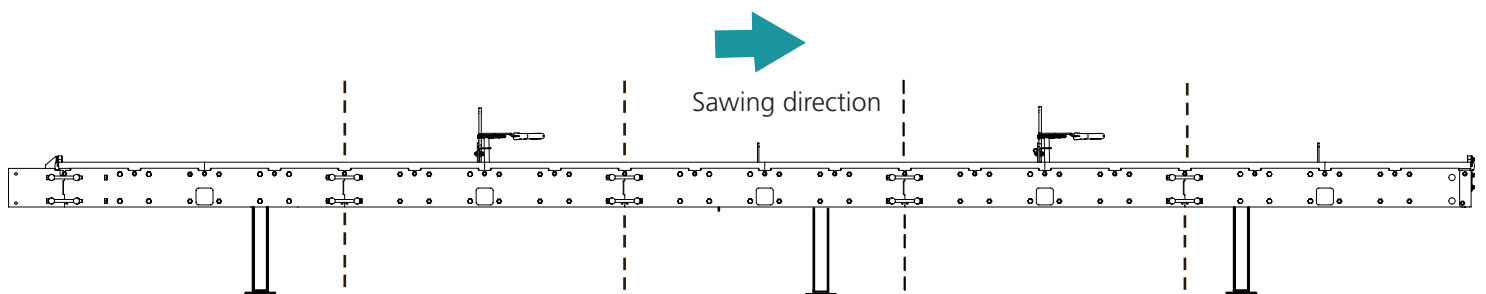
20

ASSEMBLY

Start assembling by raising the rails in a safe and effective way, until the rail tubes are 400 mm above the ground. This is the minimum clearance required to fit the support legs.

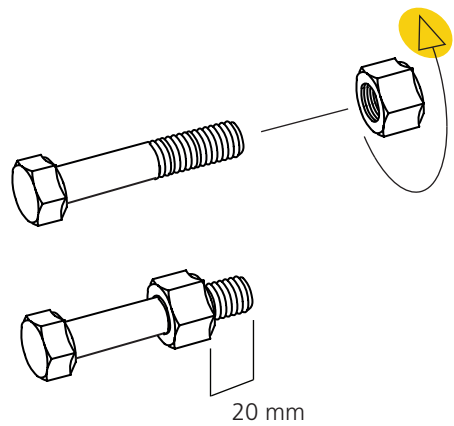
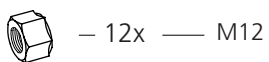
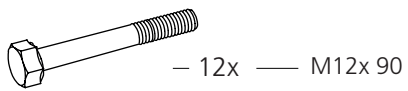
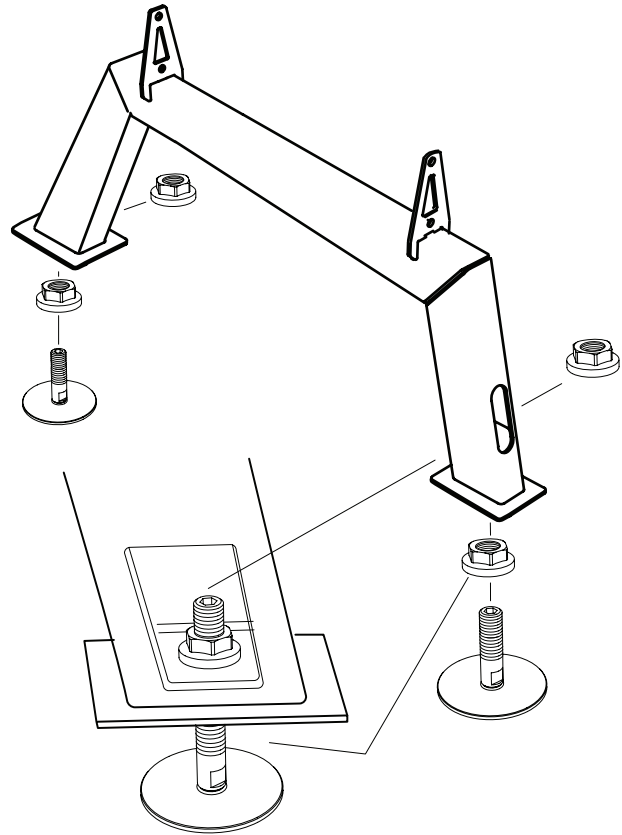
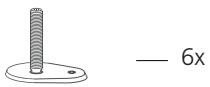


Recommended positions of the support legs on the rail frame.

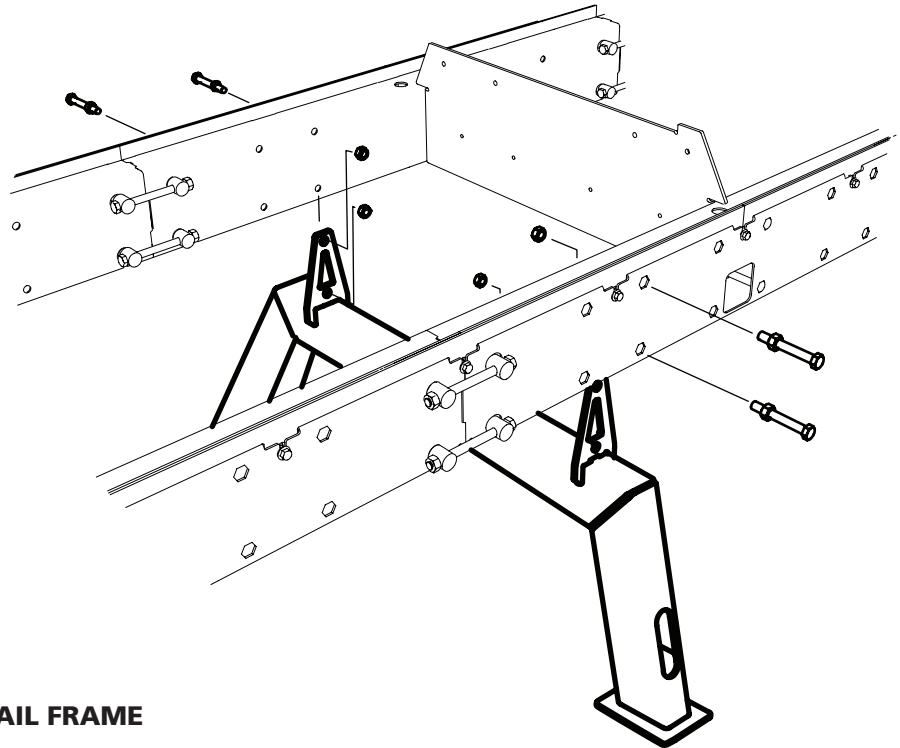
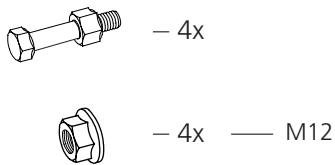


ASSEMBLY

Fit the original sawmill feet to the bottom plates of the support legs. Note the inverted flange nuts holding the feet.



ASSEMBLY

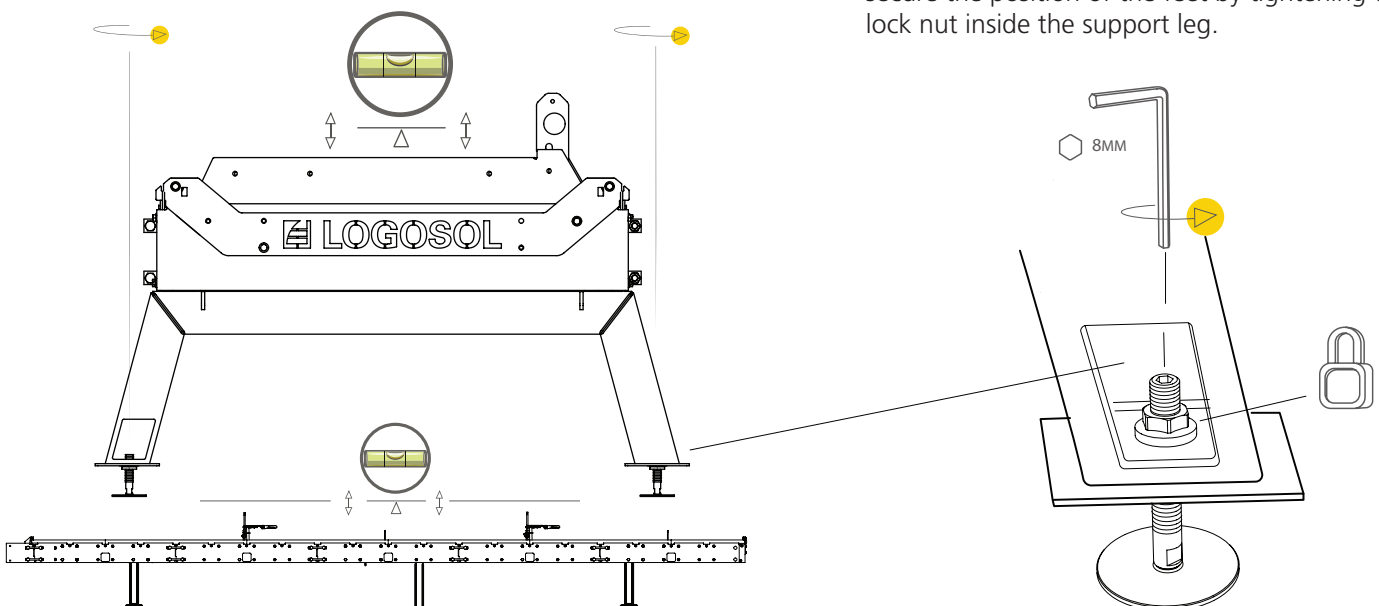


ADJUSTING THE LEVELNESS OF THE RAIL FRAME

To ensure a good sawing result, it is important that the rails are completely level with each other. Place a spirit level on a cross bunk and adjust the levelling feet until the rails are on a level. Repeat this procedure on all cross bunks until the rails are on a level along the whole length of the rail frame.

ADJUSTING THE LEVELLING FEET

Adjust the levelling feet by using an Allen key from above. When the adjustment is done, you secure the position of the feet by tightening the lock nut inside the support leg.





Fiskaregatan 2, 871 33 Härnösand, SWEDEN
+ 46 611 182 85 | info@logosol.com | www.logosol.com